

## VISULEX Camera K55-P/K55-N, Stainless Steel

### • Camera with fixed lens K55-P/K55-N:

The lens of this standard camera is focused during the installation process on the object to be monitored (external facilities/outdoor areas or technical process elements such as e. g. boilers or agitators).

### • Design and application:

- Stainless steel housing with built-in colour CCD camera, 1/3" CCD sensor, 1 lux photosensitivity; stainless steel hinge as a mounting bracket
- Type of protection: IP 65
- Operating conditions: Ambient temperature +5° C to +45°C

### • Voltage: 12 V DC (via connecting box)

### • Angle of view: 28°-60° (see order info on reverse) Minimum lens-to-object distance: 80 mm

### • Electrical connection:

- Via an external connection box (included in the scope of supply), primary 100-230 V 50/60 Hz, secondary 12 V DC
- Power rating: 7.5 Watt
- Connection box: type of protection IP 40

### • Installation:

- The camera is attached to the cover flange of a circular sight glass (DIN 28120 or equivalent) using the stainless steel bracket provided (hinge 1.4301). The method used is the same as for the internationally approved Lumistar luminaires. If there is insufficient natural light in the vessel, an appropriately dimensioned Lumistar luminaire can be installed additionally.
- A separate arrangement of lighting glass and camera glass is a further option to be considered. This depends not only on the process and the reactor size, but also on the surface of the vessel, the medium in question, and the angle of incidence.
- Consistently uniform illumination is essential.



3755.379



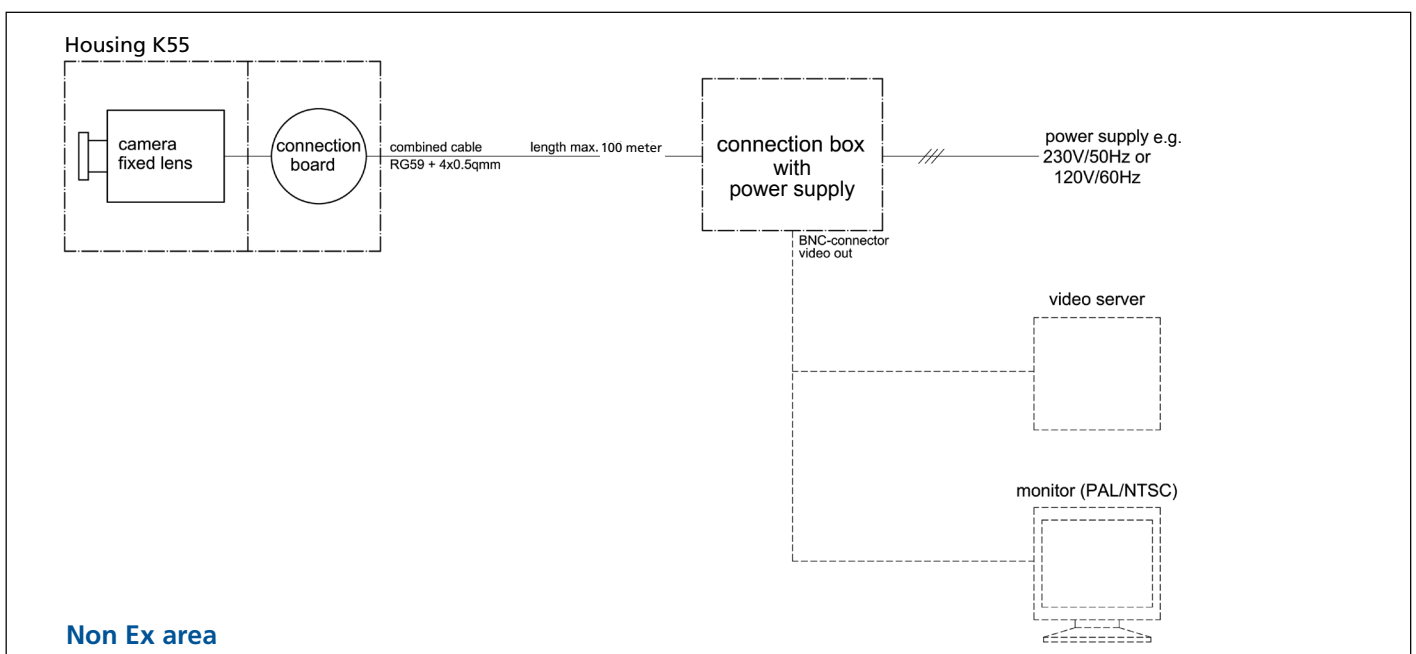
VISULEX Camera K55-P  
with fixed lens

Connection box for  
VISULEX Camera K55-P

### • Control wire:

- Coaxial cable with four wires and PUR sheath
- Length: up to approx. 100 m  
(between camera and connection box)

### • Weight: 3.2 kg excluding control wire



Contacto en España y Portugal:

Juan Solá Tel: +34 620 838 814

info@lumiglas-iberica.com

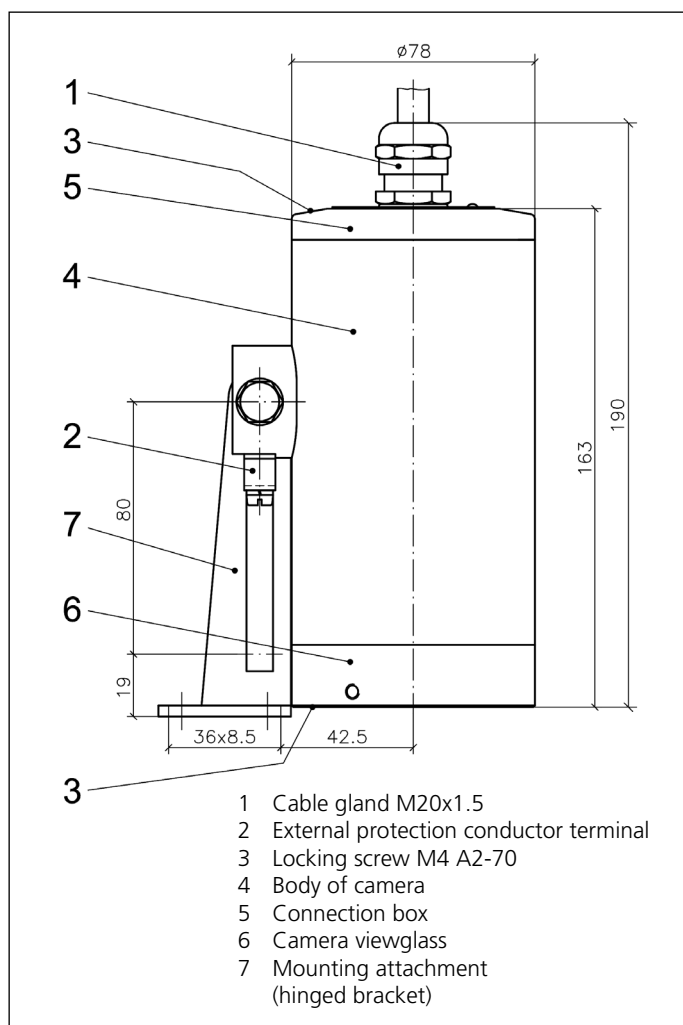
www.lumiglas-iberica.com

• Dimensions and technical data for VISULEX Camera K55-P/K55-N:

Camera	K55-P (PAL)	K55-N (NTSC)
Camera standard	CCIR (Europe)	EIA (USA)
Image sensor	1/3"-CCD	1/3"-CCD
Pixels	approx. 440,000	approx. 380,000
Light sensitivity	1 lux	1 lux
Resolution	480 lines (horizontal)	480 lines (horizontal)
Electronic shutter speeds	automatic, 1/1-1/10,000	automatic, 1/1-1/10,000
S/N ratio	>48 dB	>48 dB
Aperture control	automatic	automatic
Colour system	PAL 752 x 582	NTSC 768 x 492

Power supply unit	primary	secondary
Voltage and power	100-230 V AC 50/60 Hz 7,5 W	12 V DC 3 W
Dimensions mm (H x W x D)	65 x 108 x 120	

Note: Power supply unit for 24 V DC/12 V DC on request.



• Order data:

Item	Angle of view	Part No.
1	60°	4502.019.00
2	54°	4502.023.00
3	39°	4502.020.00
4	28°	4502.024.00

For example:

- VISULEX Camera K55-P or VISULEX Camera K55-N
- Angle of view, see table
- Control wire, please state wire length in full metres (max. 100 m)
- Connection box with power supply
- Power supply cable (USA, GB, Germany...)